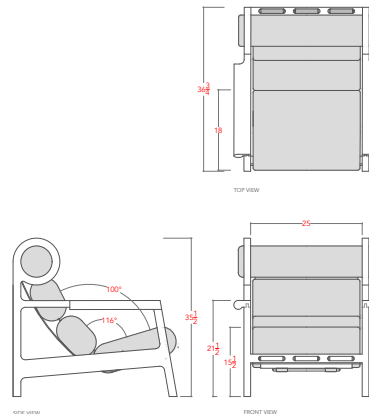


# SILAS LOUNGE CHAIR



The Silas Lounge Chair and its handcrafted solid wood frame takes its cues from masterful chair designs of the Brazilian Mid-Century Modern movement. Beautiful joinery techniques are highlighted throughout this natural silhouette. The rolling bolster cushions cradled within the frame and supported by the luxurious leather sling create a unique level of comfort. An elegant, functional and artistic statement piece to be appreciated from every point of view.



## AVAILABLE FINISHES:



**STARTING AT:**

**\$6,325**

**SHOWN IN:** Oiled Walnut & Artichoke

**LEAD TIME:** 10-12 Weeks

**STANDARD DIMENSIONS:**

32.5" L x 36" D x 34.5" H

**WEIGHT:** 45 lbs

**COM/COL:** 4 Yards

**PRODUCTION:** Made to Order

**MADE IN:** Los Angeles

**MATERIALS:** FSC certified Ash, Oak, Walnut

**CUSTOMIZATION:** COM/ COL Options Available. Contact for more info.



LAST DITCH DESIGN

[www.lastditchdesign.com](http://www.lastditchdesign.com)

[info@lastditchdesign.com](mailto:info@lastditchdesign.com)

1.323.208.9745